

SAFE USE OF BLOCK GRABS

1. INTENDED USE

The block grab is designed for the safe transportation of palletised brick loads. It is suitable for handling all types of concrete products such as slabs, steel-strapped bricks, block kerb stones and paving blocks. Any other use is prohibited! Do not exceed the load capacity. The grab is intended for rectangular loads only. The grab may only be used in conjunction with a load restraint net. Operators must comply with all applicable safety and accident prevention regulations.

To prevent accident-related risks, do not:

- Exceed the load capacity.
- Allow persons anywhere beneath the load or within the danger zone.
- Transport loads with dimensions which do not correspond with the technical data of the grab, or transport any other unauthorized loads.
- Transport persons; Danger to life!
- Transport animals.
- Subject the grab to inclined stress or inclined lift loads.
- Pull off, pull or drag loads.
- Jerk, jolt or swing the load.
- Load unevenly.

2. TECHNICAL DATA

Type	Load Capacity	Opening width	Insertion Depth	Jaw Length	Weight
1083/40	1500 kg	400 – 1100 mm	600 mm	1100 mm	190 kg
1085/80	1800 kg	400 – 1150 mm	800 mm	1200 mm	200 kg
1083/100	1600 kg	400 – 1150 mm	950 mm	1200 mm	215 kg

3. SAFETY

➤ **INSPECTION OBLIGATIONS**

The company must ensure that the device is inspected by a suitably qualified person at regular intervals not exceeding 6 months and that all defects found in the inspection are rectified immediately.

➤ **GENERAL SAFETY RULES**

- ⚡ Only persons familiar with the device may operate it.
- ⚡ Every operator must read and understand the operating and safety instructions before using the device for the first time.
- ⚡ Always be safety-conscious.
- ⚡ Never exceed the specified load capacity.
- ⚡ The operating instructions must always be kept on hand at the place of use.
- ⚡ A disorganized working area increases the risk of accidents.
- ⚡ Where any defects affect safety, stop using the device. Do not use it again until the defect has been rectified.
- ⚡ Do not remove the rating plate. Replace illegible or damaged plates.
- ⚡ The working area must be sufficiently lit.
- ⚡ Unauthorized persons must not be able to access the working area.

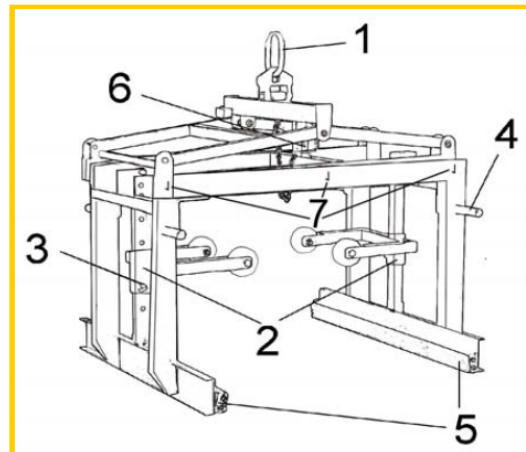
- ✦ Personal protective equipment, such as protective clothing, helmets, gloves and shoes must meet safety requirements.
- **DUTIES OF THE HOIST OPERATOR**
- ✦ The hoist and load bearing mechanism must always be in an operationally safe condition.
 - ✦ Do not exceed the maximum load capacity of the hoist/load bearing mechanism.
 - ✦ The operator is responsible for checking that the load is securely held and that no one is standing in the danger zone of the load.
 - ✦ The operator must have the area of operation in full view. A guide must provide assistance if this is not the case.
 - ✦ Only authorized persons are permitted to operate the hoist.
- **VISUAL INSPECTION AND FUNCTION TEST**
- ✦ Check that the hoist, load bearing mechanism and grab work properly and are in proper condition every time before use. Should any defect affect safety, the device must be taken out of operation until the defect has been repaired! Do not use the device until the defect has been remedied.
 - ✦ Perform maintenance and repair of the grab only when the grab is not in use.
 - ✦ Replace worn or torn jaws.
 - ✦ Do not use the device if there are any cracks, deformations or other types of damages.

4. INSTALLATION AND OPERATION

I. Connection to the hoist :

Connect the grab to the hoist either:

- a) By hanging the grab to the load hook of the hoist by ring lift (1).
 - ✦ Or by using 1082 Fork Attachment to attach the grab to a fork lift. In this case, make sure there is a mechanical connection between the grab and the fork lift, such as heel pins or restraint chain.



II. Adjustment of the insertion depth

- a) Hold the adjustable leveling arms (2) in one hand and turn the hinged locking pin (3) 90°.
- b) Adjust the leveling arms (2) to the height of the load and put the hinged pin (3) back. Make sure it locks.
- c) Make sure the bottom of the jaws (5) will be in full contact with the bottom of the load.
- d) Make sure the hinged pin (3) is still locked in place (or load might slide off).

III. Operation

- a) Attach the brick grab to the hoist.
- b) Adjust the leveling arms (2) to the height of the load.
- c) Place the brick grab in the middle of the load and slowly let it down until the leveling arms contact the top of the load and the automatic open-close device unlocks.
- d) The grab closes when you lift the load, secure the safety net under the load and to all the net hooks (7) and you can now safely transport the load to its destination.

- e) Only use the handles (4) to manually guide the brick grab, avoiding backward movements.
- f) At destination, lower the brick grab carefully until the load is set down and the automatic open-close device locks. The grab will now be 'open' and the jaws no loose contact with the load.
- g) You can now lift the unloaded brick grab.

5. MAINTENANCE

Perform maintenance only when the grab is not in use.

❖ Weekly:

- ⚙ Check the screws and bolts and tighten if necessary.
- ⚙ Check whether the jaws are worn; clean them and replace them if necessary.
- ⚙ Oil the automatic open-close device, do not grease it.
- ⚙ Oil all bolts, joints and guides.
- ⚙ Replace worn safety nets immediately

In compliance with L.O.L.E.R 98 regulations, the concrete skip must be inspected by a competent person at least once every 6 months Conquip recommend that all lifting equipment is visually inspected before every use. Inspections should focus on signs of wear, deformations, tears, cracks and rust.

Careful maintenance will increase the brick grab's life span and increase safety on the construction site.

6. TROUBLESHOOTING

In the event of equipment failure, check this table first:

Fault	Clearance
The grab does not open and close automatically	Clean or replace the automatic open-close device
The load slips	- Make sure the jaws are not worn out - Make sure the load is not too heavy - Clean the plastic foil or remove it from the load
The load hangs at an angle	Spread the weight evenly

Please contact us if this table does not help you solve your problem.

7. REPAIRS

- ⚙ Repairs may only be carried out by a suitably qualified person or the manufacturer.
- ⚙ Only genuine spare parts may be used, Conquip will not be held liable for any unauthorized modifications or conversions.



Lifting Gear & Safety

Bristol Depot
0117 971 4883

Newport Depot
01633 334 450

Plymouth Depot
01752 474 488

Port Talbot Depot
01639 540 007

Fareham Depot
01329 550 988

Pembroke Depot
01646 574 000